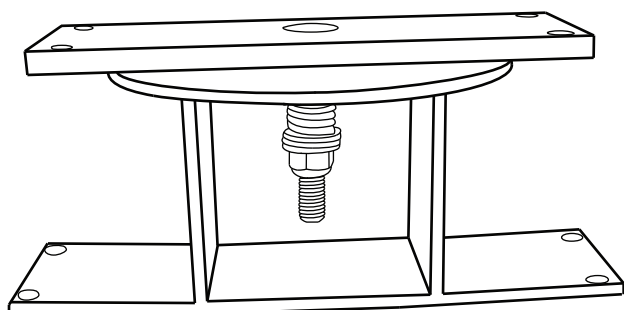


The TSA Swivelling Leg Bracket is an extremely versatile and heavy duty bracket suitable for use in schools, theatres, and drama spaces. The swivelling leg bracket is designed to cater for large and/or heavy drapes. The TSA Swivelling Leg Brackets are commonly fitted to 48mm OD pipes but they can also be fitted to structural beams.



Product Code : RM-363-SBRACKET

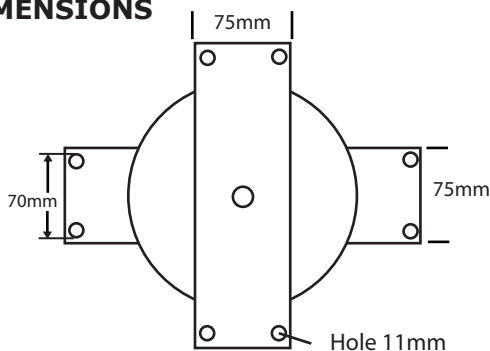
#### TECHNICAL DATA

Weight : 3.92 kg  
Material : Mild Steel  
Finish : Matt black powder coating  
Hole Diameter: 11.0mm  
Maximum Span : 3000mm

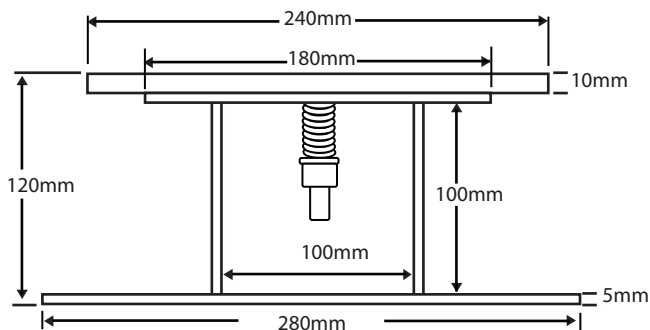
#### The TSA Swivelling Leg Bracket has many advantages over conventional leg curtain fixing systems

- \***ADJUSTABLE** - The TSA Swivelling Leg Bracket allows the curtains to be rotated to suit different sight lines, or to accommodate scenery. These brackets have a 360 degree range of motion unlike conventional fixed leg systems.
- \***SPRING LOADED** - The TSA Swivelling Leg Bracket includes a heavy duty spring that creates pressure on the top fixing plate, which holds the leg curtains in the desired position. The simple spring mechanism means there is no requirement for tools, and minor adjustments are easy.
- \***DURABILITY** - The TSA Swivelling Leg Bracket is constructed from mild steel plate and will easily deal with the rigours of day to day use.
- \***SAFETY** - The TSA Swivelling Leg Bracket can be adjusted at ground level. There is no requirement for ladders or scaffold. To adjust the angle of the leg curtain, simply grasp the sides of the curtain, pull down gently, and rotate the curtain to the desired position. Easy!

#### DIMENSIONS



TOP VIEW



SIDE VIEW